

SCIMITAR 40K



DESCRIPTION OF THE DEVICE

Scimitar 2800 is a fundamental waterblasting tool with an efficient speed control system, adjustable thanks to a magnetic brake. It is specially designed for surface preparations, it can be used with a manual trigger gun or in a automatized system.

Speed is controlled thanks to the easy rotation of the handle grip, between slow (-) and fast mode (+).

Compact and light, Stainless steel made, nozzle head and four sapphire jet nozzles easily replaceable.

INTENDED USE

Scimitar 2800 is designed to be used on systems in category I, at the most, according to classification of Directive 97/23/CE (PED). The operating limits are written in the technical specifications.

SCIMITAR 40K

Technical Specifications

CODE	MAX FLOW RATE		MAX PRESSURE		MAX WATER TEMP		ROTATING	INLET	LENGTH		WEIGHT	
	l/min	gpm	bar	kpsi	°C	°F			rpm	mm	inch	kg
Q231000003400	25	6,6	2800	40	45	140	1000 - 4000	Female 1"1/8 LNF for 9/16" HP	170	6,7	1,5	3,3

*** different inlet connections available on request*

HEAD CODE	NOZZLE CODE	FLOW RATE RANGE		PRESSURE RANGE		ROTATION
		l/min	gpm	bar	kpsi	rpm
Q232310716150 (low flow)	Q23231001516S (4 pcs)	11,1 - 13,1	2,9 - 3,5	2000 - 2800	29 - 40	1000 - 2500
Q232310716120 (high flow)	Q23231001716S (4 pcs)	14,4 - 16,4	3,8 - 4,3	2000 - 2800	29 - 40	1000 - 3000
	Q23231001916S (4 pcs)	17,7 - 20,9	4,7 - 5,5	2000 - 2800	29 - 40	1300 - 3000

The specifications are indicative only, company reserves itself the right to make changes without any notice

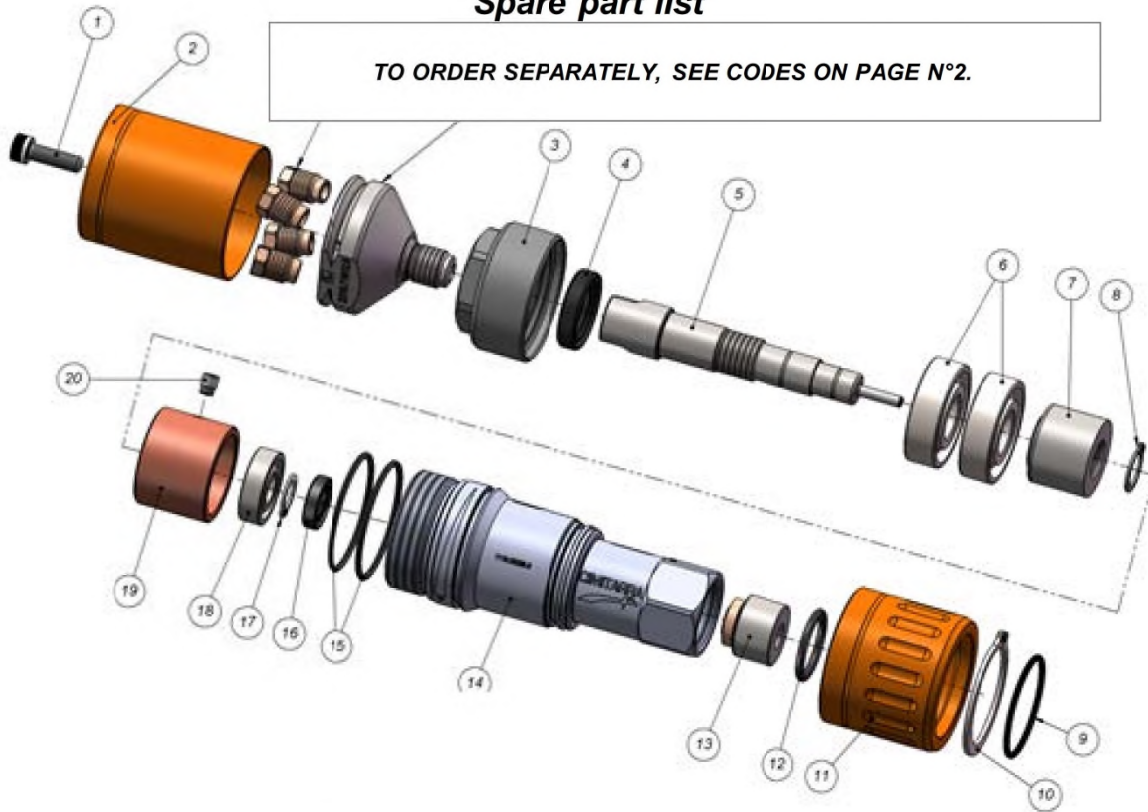
HOW TO CHOOSE

Scimitar 2800 is suitable for use with soft and clean water, also with a slight amount of additives. The tool is chosen based on the operating data of the system, namely: Rated pressure, Maximum flow rate and Rated temperature. Make sure feasible pressure peaks do not exceed the Permissible pressure for which the tool is designed.

SCIMITAR 40K

Spare part list

TO ORDER SEPARATELY, SEE CODES ON PAGE N°2.



IT.	CODE	DESCRIPTION	QTY
1	Q231200001500	HEAD SCREW	1
2	Q231110037450	Scimitar HEAD COVER	1
3	Q231110037460	FRONTAL COVER	1
4	Q231300007010	RETAINER	1
5	Q231110032870	Scimitar SHAFT	1
6	Q231700002250	ANGULAR CONTACT BALL BEARING	2
7	Q231010020500	MAGNETIC BRAKE	1
8	Q231200003380	SEEGER RING E-14	1
9	Q231300001420	O'RING	1
10	Q231200010540	SEEGER RING E-40	1
11	Q231110037480	HANDLE GRIP	1
12	Q231300003720	O'RING	1
13 *	Q231020004320	Scimitar SEALING KIT	1
14	Q231110032850	BODY	2
15	Q231300001370	O'RING	2
16 *	Q231300008560	RETAINER	1
17	Q231200010030	SEEGER RING E-12 DIN 471	1
18	Q231700001480	BALL BEARINGS	1
19	Q231110037470	SPEED SET BUSHING	1

recommended spare parts in yellow

SCIMITAR 40K

PREVENTIVE MAINTENANCE

Scimitar 2800 needs 10 ml of 10 W 40 oil for bearings lubrication.

Every 30 hours of operation it must be replaced using a syringe graduated.

GENERAL MAINTENANCE

Loss in high pressure sealing:

If the water comes from the hexagonal body hole (Q231110032850), the loss occurs in the input connection. Remove the 1,1/8 nut (Q232320016060); Adjust the 9/16" collar (Q232320003680) and tighten the 1,1/8 nut again. If the water comes from the oblong body hole (Q231110032850) the high pressure gasket (included in Q231020004320) is damaged. Remove Scimitar from gun or robot; remove the o-ring (Q231300001420) that locks the seal kit (Q231020004320) and replace it. A small loss may still occur at re-opening during the increase of pressure but can be considered normal and will tend to disappear as soon as maximum pressure is reached.

Rapid gasket wear:

After disassembling the accessory, perform an accurate visual inspection of gaskets and o-rings. If the seals have just been replaced, replace the retainer (Q231300008560) and the sealing ring, especially if they have not been replaced during the last corrective / preventive maintenance.

Lastly, if the magnetic brake (Q231010020500) has lost its efficiency, it can turn the tool over the limits and thus increase the internal temperature, resulting in tightening of the seals and reducing their useful life.

Utility does not turn:

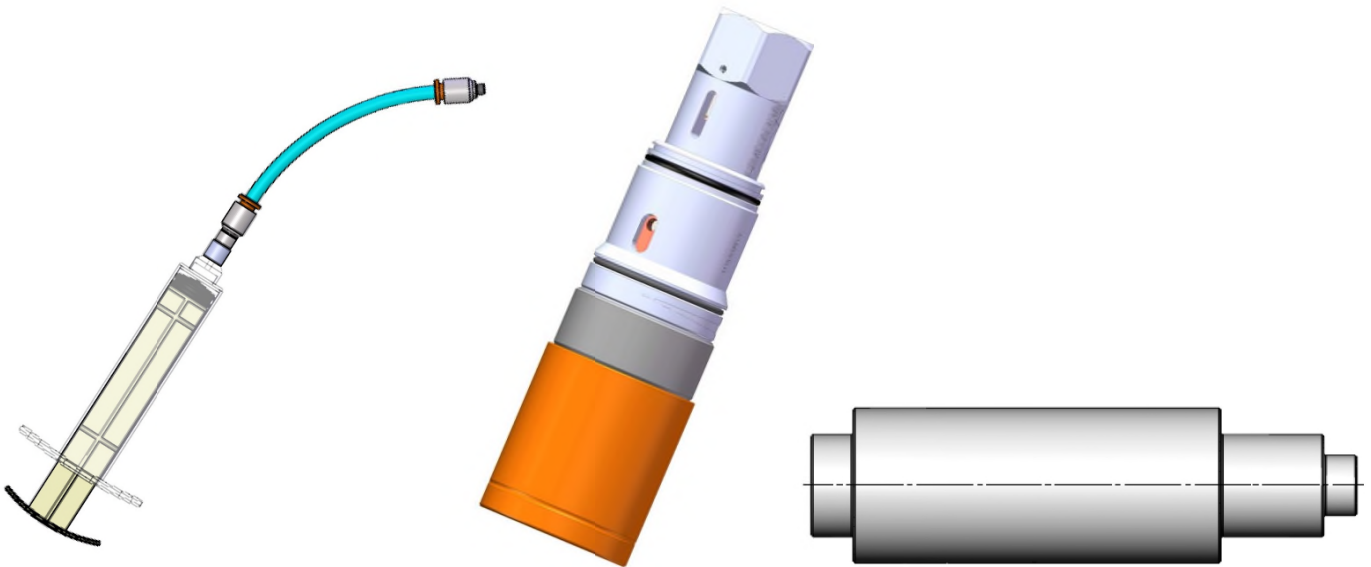
Ensure that the nozzles are not partially or fully closed, and make sure that the nozzle is in accordance with the table. If all is OK, disassemble the accessory and make a complete check of the parts, especially the bearings (Q231700002250).

SCIMITAR 40K



CAUTION

- **USE ONLY ORIGINAL HPP SPARE PARTS**
- **THE MANUFACTURER IS NOT LIABLE FOR DAMAGE CAUSED BY WRONG INSTALLATION AND/OR MAINTENANCE**
- **MAINTENANCE SHOULD ONLY BE PERFORMED BY QUALIFIED TECHNICIAN**



Oil syringe **Q23100002710**

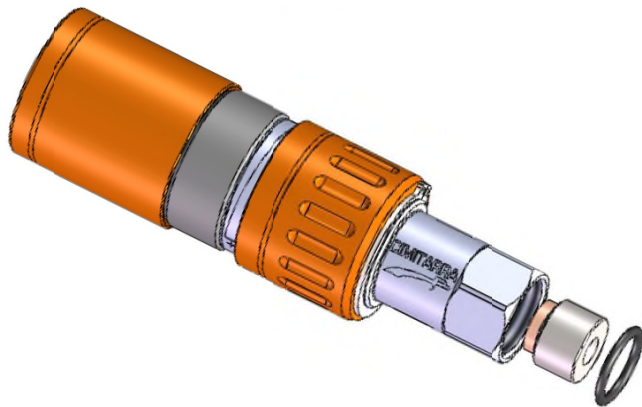
PREVENTIVE MAINTENANCE

Replacing of oil:

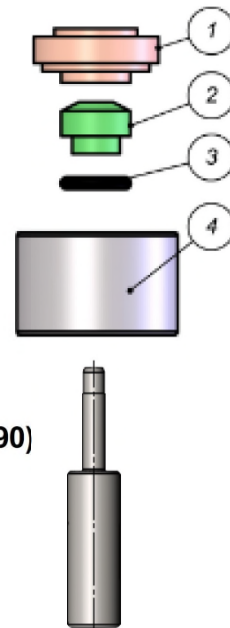
- Remove the cover (Q231110037450) by removing the head screw (Q231200001500)*
- Remove nozzle head (Q232310716150 or Q232310716120)*
- Remove the front nut (Q231110037460);*
- Put 10 ml of oil 10W 40 oil through the bearings (Q231700002250) thanks to the oil filler;*
- Fit the front nut, head and guard again.*

SCIMITAR 40K

REPLACING OF SEALING KIT



(Q233000029190)



GENERAL MAINTENANCE

- a) Remove the sealing ring (Q231300001420) from the inlet connection
- b) Remove the support (1) from the seat (4)
- c) Remove the seal (2) and the o-ring (3) from the seat using the tool (Q233000029190)
- d) Place the new o-ring (3) on the new seal (2)
- e) Insert the assembly on the seat (4) without tools
- f) Finally, insert seal support (1)
- g) Insert the sealing kit (Q231020004320) through the input connection and install the o-ring (Q231300001420) to hold the gasket in the kit position.

DECLARATION OF CONFORMITY

The device complies with the requirements of the directives listed in the declaration of conformity; in case of need the above must be requested to the manufacturer.

PRODUCT DISPOSAL AT THE END OF ITS SERVICE LIFE

Disposal in accordance to the current laws.

SCIMITAR 40K

Nozzle diameter		Nozzle flow-rate gpm (liters/min)										
inches	mm	kpsi (bar)										
		20 1379	22 1517	24 1655	26 1793	28 1931	30 2069	32 2207	34 2345	36 2483	38 2621	40 2759
0,009	0,23	0,22 0,83	0,23 0,87	0,24 0,90	0,25 0,94	0,26 0,98	0,27 1,02	0,28 1,05	0,29 1,09	0,30 1,13	0,31 1,17	0,32 1,21
0,010	0,25	0,28 1,05	0,29 1,09	0,30 1,13	0,31 1,17	0,33 1,24	0,34 1,28	0,35 1,32	0,36 1,36	0,37 1,40	0,38 1,43	0,39 1,47
0,011	0,28	0,33 1,24	0,35 1,32	0,37 1,40	0,38 1,43	0,39 1,47	0,41 1,55	0,42 1,51	0,43 1,62	0,45 1,70	0,46 1,74	0,47 1,77
0,012	0,30	0,40 1,51	0,42 1,58	0,43 1,62	0,45 1,70	0,46 1,74	0,49 1,85	0,50 1,89	0,52 1,96	0,53 2,00	0,55 2,08	0,56 2,11
0,013	0,33	0,47 1,77	0,49 1,85	0,51 1,93	0,53 2,00	0,55 2,08	0,57 2,15	0,59 2,23	0,61 2,30	0,62 2,34	0,64 2,42	0,66 2,49
0,014	0,36	0,54 2,04	0,57 2,15	0,59 2,23	0,62 2,34	0,64 2,42	0,66 2,49	0,68 2,57	0,70 2,64	0,72 2,72	0,74 2,80	0,76 2,87
0,015	0,38	0,62 2,34	0,65 2,46	0,68 2,57	0,71 2,68	0,73 2,76	0,76 2,87	0,78 2,95	0,81 3,06	0,83 3,14	0,85 3,12	0,87 3,29
0,016	0,41	0,70 2,64	0,73 2,76	0,77 2,91	0,80 3,02	0,83 3,14	0,86 3,25	0,89 3,36	0,92 3,48	0,95 3,59	0,97 3,67	1,00 3,78
0,017	0,43	0,80 3,02	0,83 3,14	0,87 3,29	0,91 3,44	0,94 3,55	0,97 3,67	1,01 3,82	1,04 3,93	1,07 4,04	1,10 4,16	1,12 4,23
0,018	0,46	0,89 3,36	0,94 3,55	0,98 3,70	1,02 3,86	1,05 3,97	1,09 4,12	1,13 4,27	1,16 4,39	1,20 4,54	1,23 4,65	1,26 4,76
0,019	0,48	0,99 3,74	1,04 3,93	1,09 4,12	1,13 4,27	1,18 4,46	1,21 4,57	1,26 4,76	1,30 4,92	1,33 5,03	1,37 5,18	1,40 5,29
0,020	0,51	1,10 4,16	1,15 4,35	1,21 4,57	1,25 4,73	1,30 4,92	1,35 5,10	1,39 5,26	1,43 5,41	1,48 5,60	1,52 5,75	1,56 5,90
0,021	0,53	1,21 4,57	1,27 4,80	1,33 5,03	1,38 5,22	1,44 5,45	1,49 5,63	1,53 5,79	1,58 5,98	1,63 6,16	1,68 6,35	1,72 6,51
0,022	0,56	1,33 5,03	1,40 5,29	1,46 5,52	1,52 5,75	1,58 5,98	1,63 6,16	1,68 6,35	1,74 6,58	1,79 6,77	1,84 6,96	1,88 7,11
0,023	0,58	1,46 5,52	1,53 5,79	1,59 6,01	1,66 6,28	1,72 6,51	1,78 6,73	1,84 6,96	1,90 7,19	1,95 7,38	2,01 7,60	2,06 7,79
0,024	0,61	1,58 5,98	1,66 6,28	1,74 6,58	1,81 6,85	1,87 7,07	1,94 7,34	2,00 7,57	2,07 7,83	2,13 8,06	2,18 8,25	2,24 8,47
0,025	0,64	1,7 6,43	1,80 6,81	1,88 7,11	1,96 7,41	2,03 7,68	2,10 7,94	2,17 8,21	2,24 8,47	2,31 8,74	2,37 8,97	2,43 9,19
0,026	0,66	1,9 7,19	1,95 7,38	2,04 7,72	2,12 8,02	2,20 8,32	2,28 8,62	2,35 8,89	2,42 9,15	2,49 9,42	2,56 9,68	2,63 9,95
0,027	0,69	2,0 7,57	2,10 7,94	2,20 8,32	2,29 8,66	2,37 8,97	2,46 9,31	2,54 9,61	2,61 9,87	2,69 10,18	2,76 10,44	2,84 10,74
0,028	0,71	2,2 8,32	2,26 8,55	2,36 8,93	2,46 9,31	2,55 9,65	2,64 9,99	2,73 10,33	2,81 10,63	2,89 10,93	2,97 11,24	3,05 11,54
0,031	0,79	2,6 9,84	2,77 10,48	2,90 10,97	3,01 11,39	3,13 11,84	3,24 12,26	3,34 12,64	3,45 13,05	3,55 13,43	3,64 13,77	3,74 14,15
0,033	0,84	3,0 11,35	3,14 11,88	3,28 12,41	3,42 12,94	3,54 13,39	3,67 13,89	3,79 14,34	3,96 14,98	4,02 15,21	4,13 15,63	4,24 16,72
0,034	0,86	3,2 12,11	3,34 12,64	3,48 13,17	3,63 13,73	3,79 14,34	3,89 14,72	4,02 15,21	4,15 15,70	4,27 16,16	4,38 16,51	4,50 17,03
0,035	0,89	3,4 12,86	3,53 13,36	3,69 13,96	3,84 14,53	3,99 15,10	4,13 15,63	4,26 16,12	4,39 16,61	4,52 17,10	4,64 17,56	4,77 18,05